

Trailer Mount

UpRight
POWERED ACCESS



- 13.2m max. working height
- 5.9m max. outreach
- Two person, 215kg capacity platform
- 1.3m, 130° jib
- 90° powered platform rotation
- Hydraulic outriggers
- Compact dimensions and low towing weight

TL37

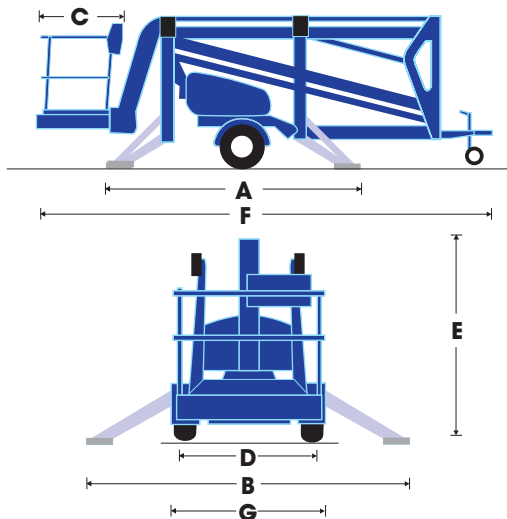
TL37 trailer mount specifications

TL37 TRAILER MOUNT

max. working height	13.2m
max. platform height	11.2m
max. outreach	5.9m
platform capacity (SWL)	215kg
outrigger footprint	3.60m(A) x 3.00m(B)
turret rotation	700°
platform rotation	90°
platform depth C	0.80m
platform width D	1.20m
stowed height E	1.95m
towing length F	6.30m
towing width G	1.48m
weight (battery model)	1,390kg*
control system	fully proportional hydraulic controls at basket and ground
power source	24V battery (4 x 6V 195ah batteries) or 230V mains
power options	bi-energy (petrol & battery) power

* Machine towing weight depends on power configuration and supply of optional extras.

Specifications subject to change without notice. Photos and diagrams in this brochure are for promotional purposes only. Refer to appropriate UpRight operators manual for detailed instructions on the proper use and maintenance.



BPl. TL37 10/06

UpRight
POWERED ACCESS

Vigo Centre, Birtley Road, Washington,
Tyne & Wear, NE38 9DA, U.K.

Sales Tel: +44 (0) 845 1550 057 • Spare Parts Tel: +44 (0) 845 1550 058

www.upright.com

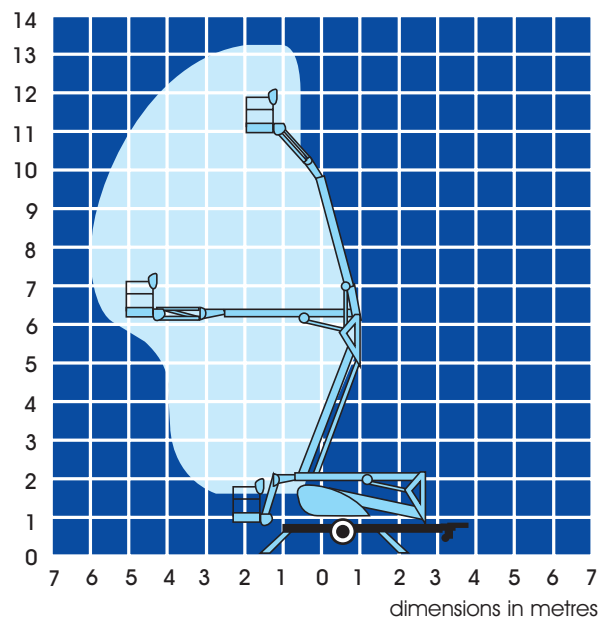
standard features

- 1.3m jib with 130° working arc
- In-line boom design for maximum rigidity
- 6.3m travel length
- 1390kg towing weight
- 90° hydraulically powered platform rotation
- Cycle protection guards
- Hand pump emergency lowering from platform
- Lock valves on all hydraulic cylinders
- Proportional live hydraulic controls
- Automatic reversing and overrun braking
- Integral road lighting board
- 24V battery (4 x 6V 195ah batteries) or 230V mains power
- 1 year parts and labour warranty
- 5 year structural warranty

options

- On-board 230V generator for mains powered units
- Bi-Energy (petrol and DC battery) power
- GRP platform
- Special paint colours

Other options available on request



CE This product is available with the CE mark confirming compliance with all relevant European Machinery Directives

manufactured by
UpRight
POWERED ACCESS